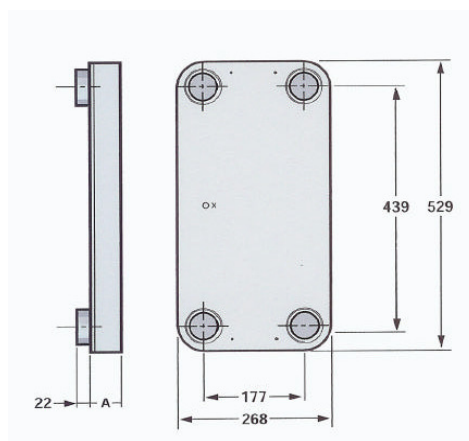


# Plate Heat Exchanger

## L/M/H – 59

X = Primary side



L/M/H 59 without insulation				Connections	
Size/ Plates	Measure A	Wieght empty kg	Volume l	Braze mm	Tap size
30	82	21,3	6,96	54	R 2"
40	107	25,7	9,36	54	R 2"
50	130	30,1	11,75	54	R 2"
60	152	34,5	14,16	54	R 2"
80	201	43,3	18,96	54	R 2"
100	252	52,1	23,76	54	R 2"
120	302	60,9	28,56	54	R 2"