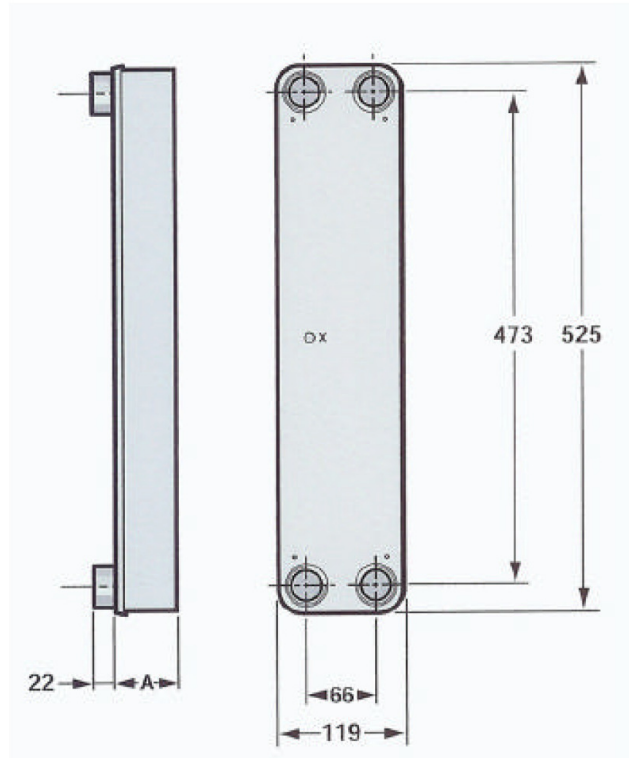


MEASURE AND WEIGHT

L/M/H-29



X=Primary side

| SIZE | L/M/H 29 without insulation | | | Connections | |
|------|-----------------------------|--------------------|-------------|-------------|-------------|
| | Measure A | Weight empty kg | Volume l | Braze mm | Tap size |
| 10 | 35 | 4,3 | 1,1 | 35 | R 1" |
| 14 | 45 | 5,1 | 1,59 | 35 | R 1" |
| 20 | 60 | 6,3 | 2,32 | 35 | R 1" |
| 24 | 71 | 7,1 | 2,81 | 35 | R 1" |
| 30 | 86 | 8,3 | 3,54 | 35 | R 1" |
| 40 | 116 | 10,3 | 4,76 | 35 | R 1" |
| 50 | 141 | 12,3 | 5,98 | 35 | R 1" |
| 60 | 168 | 14,3 | 7,2 | 35 | R 1" |
| 80 | 221 | 18,3 | 9,64 | 35 | R 1" |