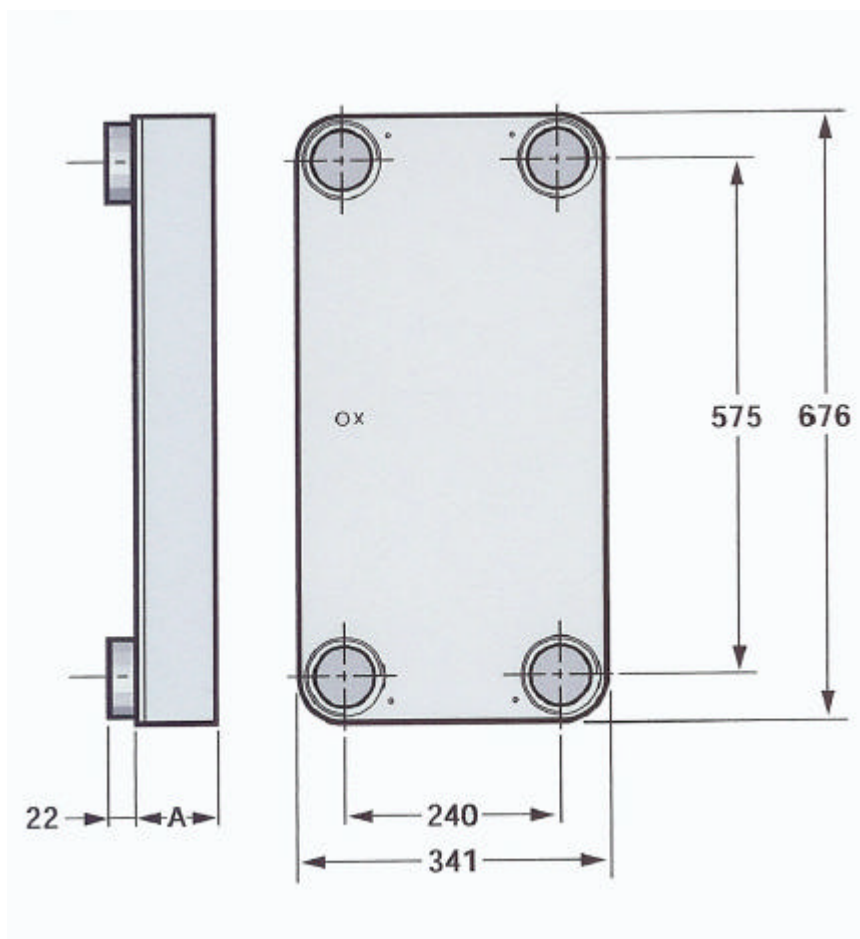


MEASURE AND WEIGHT

L-99



X=Primary side

| SIZE | L 99 without insulation | | | Connections | |
|---------|-------------------------|--------------------|-------------|-------------|-------------|
| | Measure A | Weight empty kg | Volume l | Braze mm | Tap size |
| L99-30 | 86 | 41,4 | 15,95 | 76 | R 3" |
| L99-40 | 111 | 50 | 21,45 | 76 | R 3" |
| L99-50 | 136 | 58,6 | 26,95 | 76 | R 3" |
| L99-60 | 164 | 67,2 | 32,45 | 76 | R 3" |
| L99-80 | 224 | 84,4 | 43,45 | 76 | R 3" |
| L99-100 | 288 | 101,6 | 54,45 | 76 | R 3" |
| L99-120 | 356 | 118,8 | 65,45 | 76 | R 3" |
| L99-150 | 451 | 144,6 | 81,95 | 76 | R 3" |
| L99-200 | 616 | 187,6 | 109,45 | 76 | R 3" |