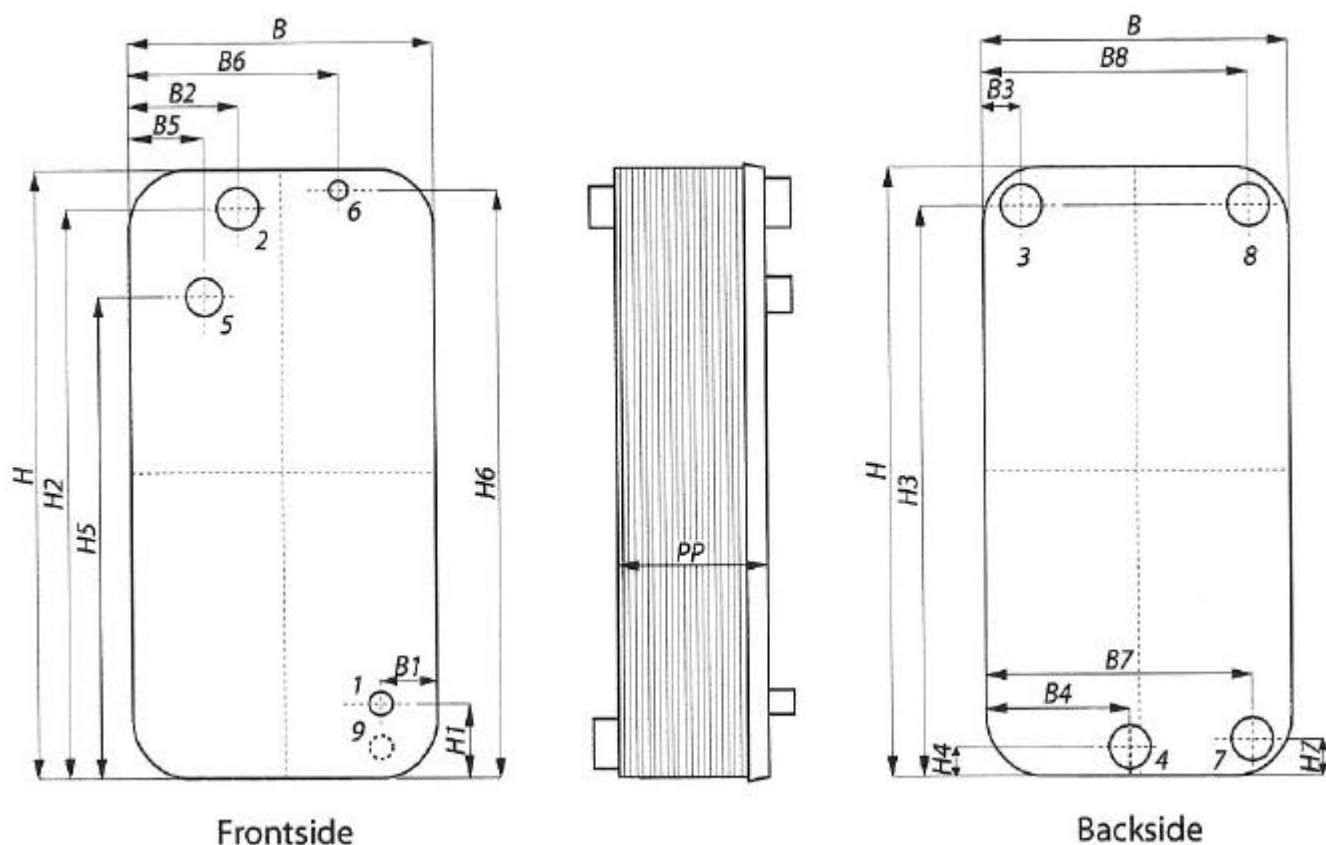


MEASURE AND WEIGHT

EC-59



Device		Medium	Type of connection
1. Evaporator	In	Refrigerant	15,88 mm soldered
2. Evaporator	Out	Refrigerant	34,92 mm soldered
3. Evaporator	In	Brine/H ₂ O	1" AG
4. Evaporator	Out	Brine/H ₂ O	1" AG
5. Condenser	In	Refrigerant	28,57 mm soldered
6. Condenser	Out	Refrigerant	15,88 mm soldered
7. Condenser	In	H ₂ O	1" AG
8. Condenser	Out	H ₂ O	1" AG
9. Recirculation			6,45 mm

EC-59 Exchanger dimensions /centre lines (mm)			
B	267,85	H	529,85
B1	48,61	H1	64,98
B2	96,45	H2	496,93
B3	33,43	H3	497,06
B4	126,59	H4	26,43
B5	68,20	H5	419,68
B6	184,70	H6	512,33
B7	31,99	H7	31,99
B8	234,43	H8	419,68
B9	48,61	B9	20,33