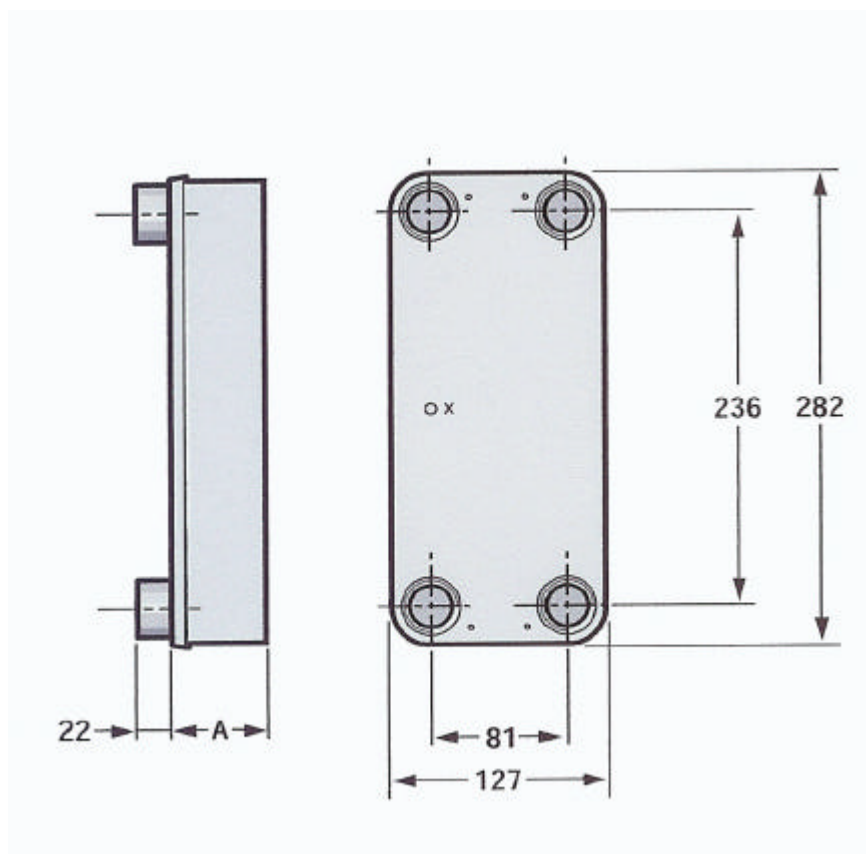


## MEASURE AND WEIGHT

# M-19



Figur 1

X=Primary side

SIZE	M 19 without insulation			Connections	
	Measure A	Weight empty kg	Volume l	Braze mm	Tap size
M19-6	20	2,1	0,26	22	R 3/4"
M19-8	24	2,4	0,36	22	R 3/4"
M19-10	27	2,6	0,47	22	R 3/4"
M19-14	36	3,1	0,68	22	R 3/4"
M19-20	47	3,8	0,99	22	R 3/4"
M19-24	56	4,3	1,2	22	R 3/4"
M19-30	68	5,0	1,51	22	R 3/4"
M19-40	89	6,2	2,03	22	R 3/4"
M19-50	110	7,4	2,55	22	R 3/4"